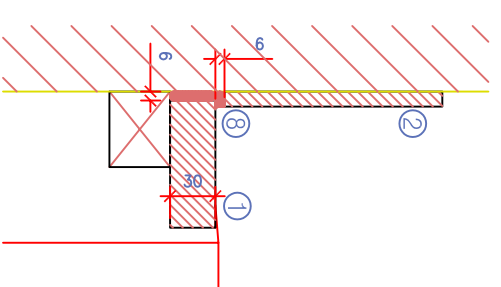
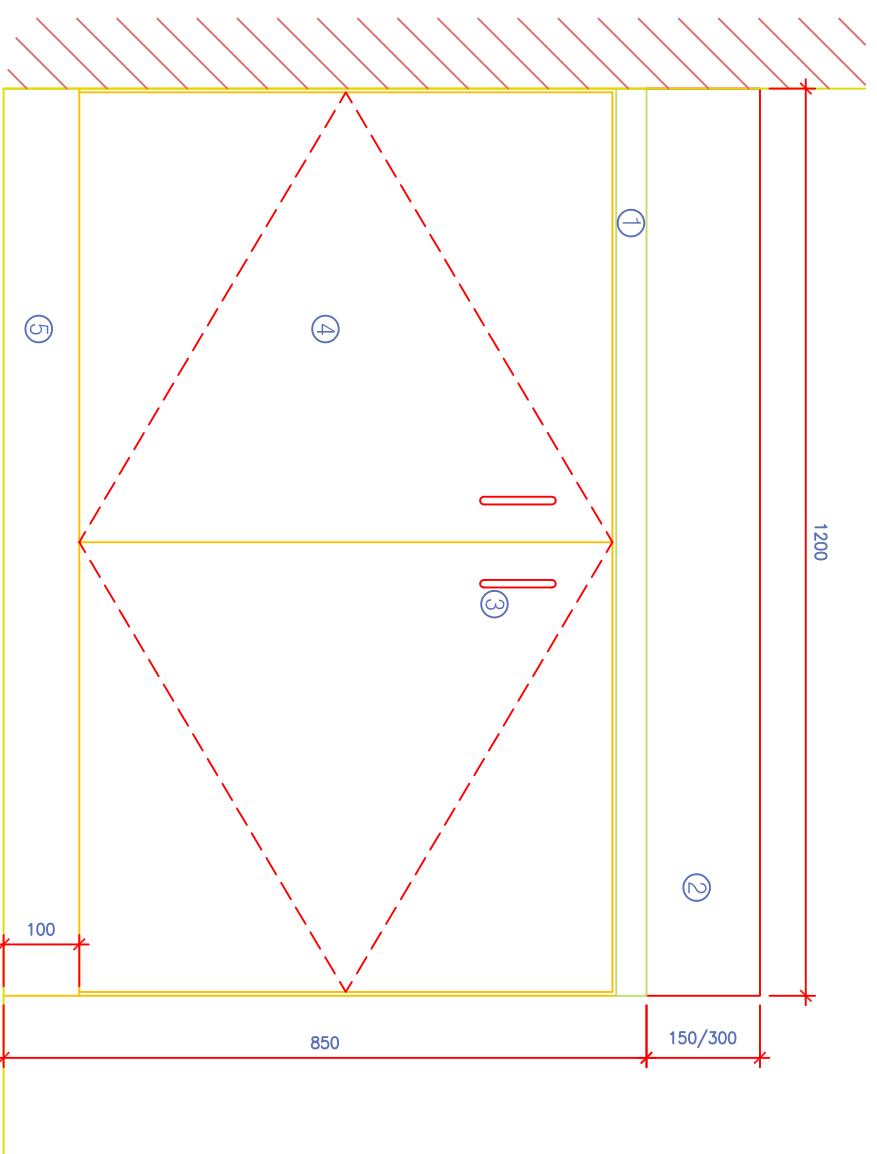
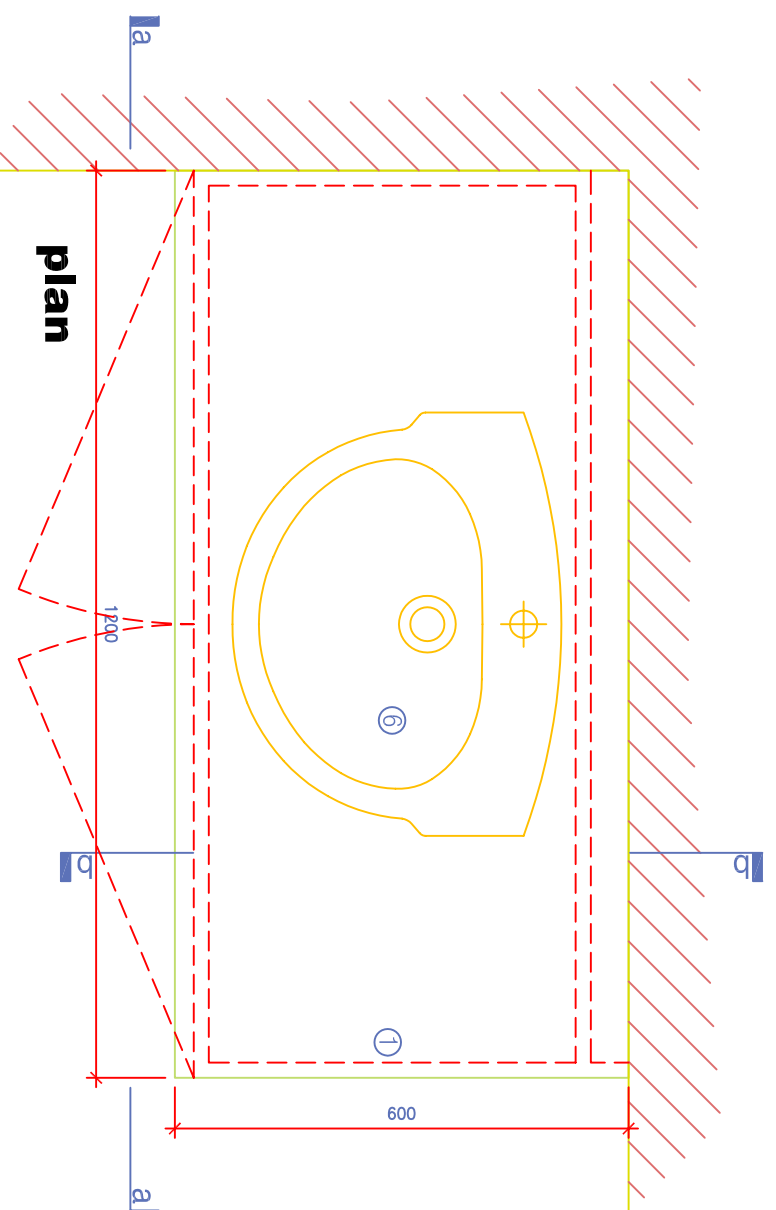


FIXED FURNITURE DETAILS: DRESS DESIGN VANITY UNIT - VU

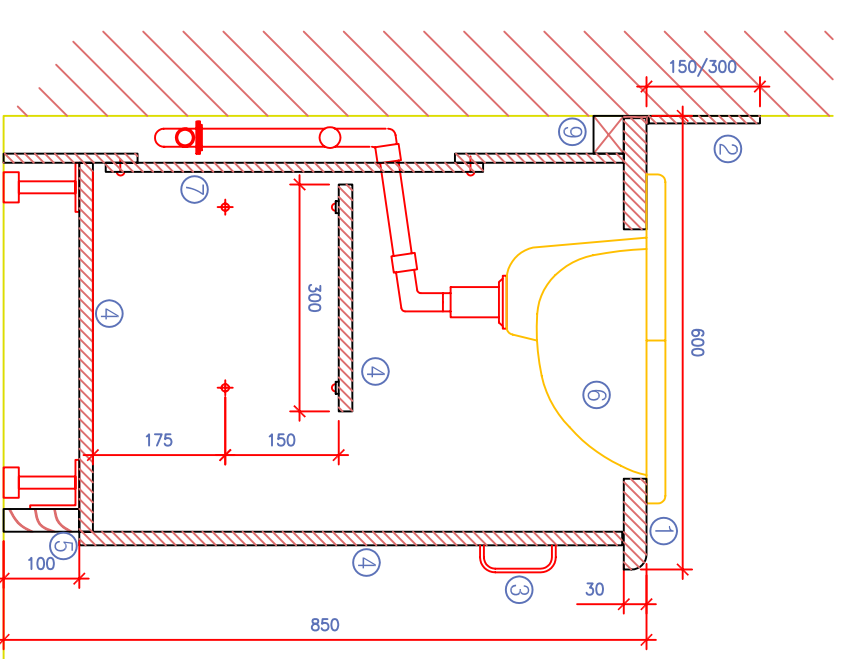
- Legend:**
- 30 mm thick moisture resistant MDF worktop with decorative high pressure laminate.
 - Splashback (to be selected by design team):
Option 1 - 150 x 6 mm solid core laminate, finish to match worktop.
Option 2: tiled splashback min. 300 mm high
 - Ironmongery: Stainless steel "D" shape handle, 180° self closing hinges, cylinder type locks.
 - 18 mm thick MDF cupboard doors and carcass with high pressure laminate.
 - Lacquered hardwood plinth 100 x 25 mm with adjustable carcass support feet.
 - Ceramic inset WHB with 1 no taphole - cold water supply only with waste, plug & chain and ceramic disk mixer tap.
 - 12 mm thick MDF back removable back panel with high pressure laminate.
 - Mastic seal to specification
 - Sw battens to contractor's detail - to create services zone.



**worktop/mastic seal detail
scale 1:5**



elevation a-a



elevation b-b

Minimum Standards for materials and finishes:

Core material for worktops, doors and carcasses:
Dry Fibre Board (MDF) to I.S. EN 622-5 Class E1 formaldehyde content tested to EN 120.
Moisture resistant board to I.S. EN 622-5 MDF-H, class E1 formaldehyde content tested to EN 120.

Core materials to be finished with plastic laminates to comply with I.S. EN 438, grade HGS/HGP (including vertical panels, shelves and doors).
Balancing laminate to be used in all cases.

Edges of all laminated panels (if not postformed) to be finished with solid colour laminate (2 mm thickness), PVC or hardwood edges to seal all edges.

Solid timber to comply with IS EN 942, Class J10.
FSC/PEFC chain of custody certification required for all timber and timber products, including MDF.

Metal frames:
Generally 60x30 mm mild steel frame with welded end caps and adjustable feet. Epoxy powder coated to selected RAL colour.

Ironmongery:
Stainless steel door handles, reversed fixed through doors. High quality stainless steel or nickel plated self-closing hinges (180°) and high quality cylinder style lock on masterkey system to suit the school's requirements.

Hardwood plinth size to be coordinated with skirting height in rooms.

Note:
Alternative materials and finishes of equal or higher specification and performance are permitted.
Drawings to be read in conjunction with specification.

DRESS DESIGN VANITY UNIT - VU

SCALE:	1:5/1:10
DRG No:	041
DATE:	JUNE '09
CHECKED BY :	-
PREPARED BY:	-

