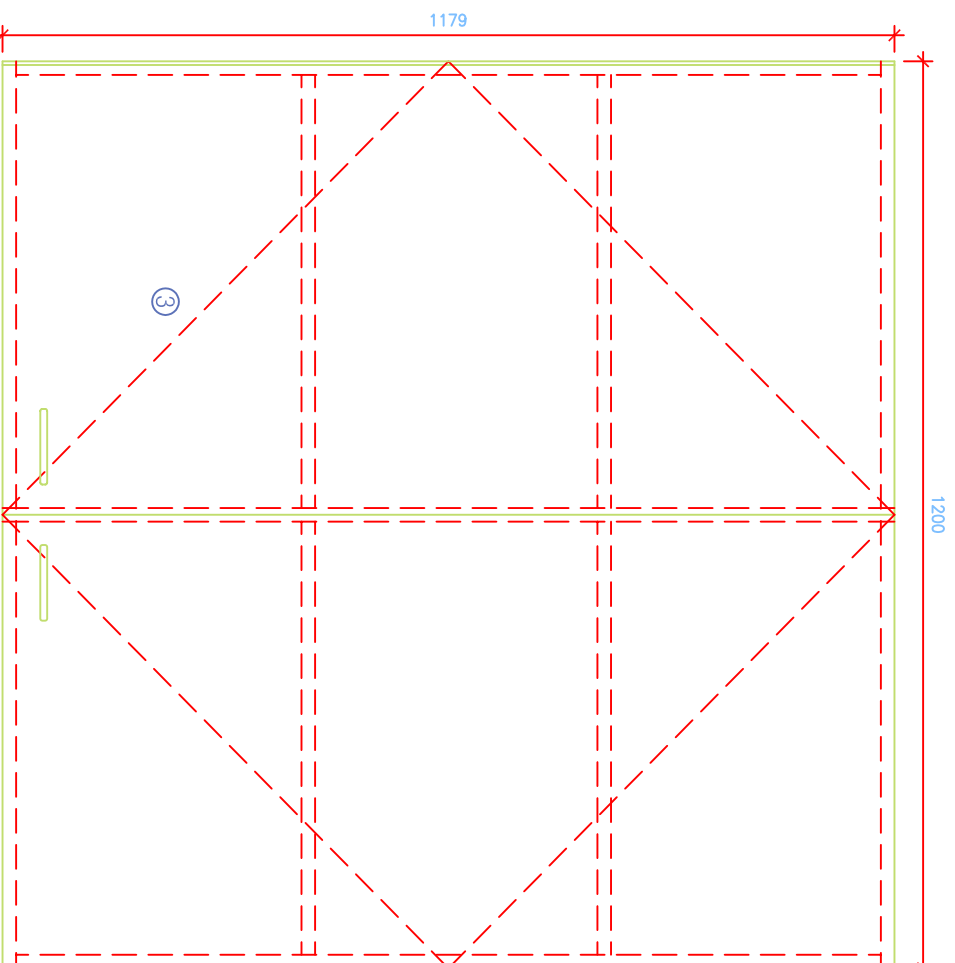
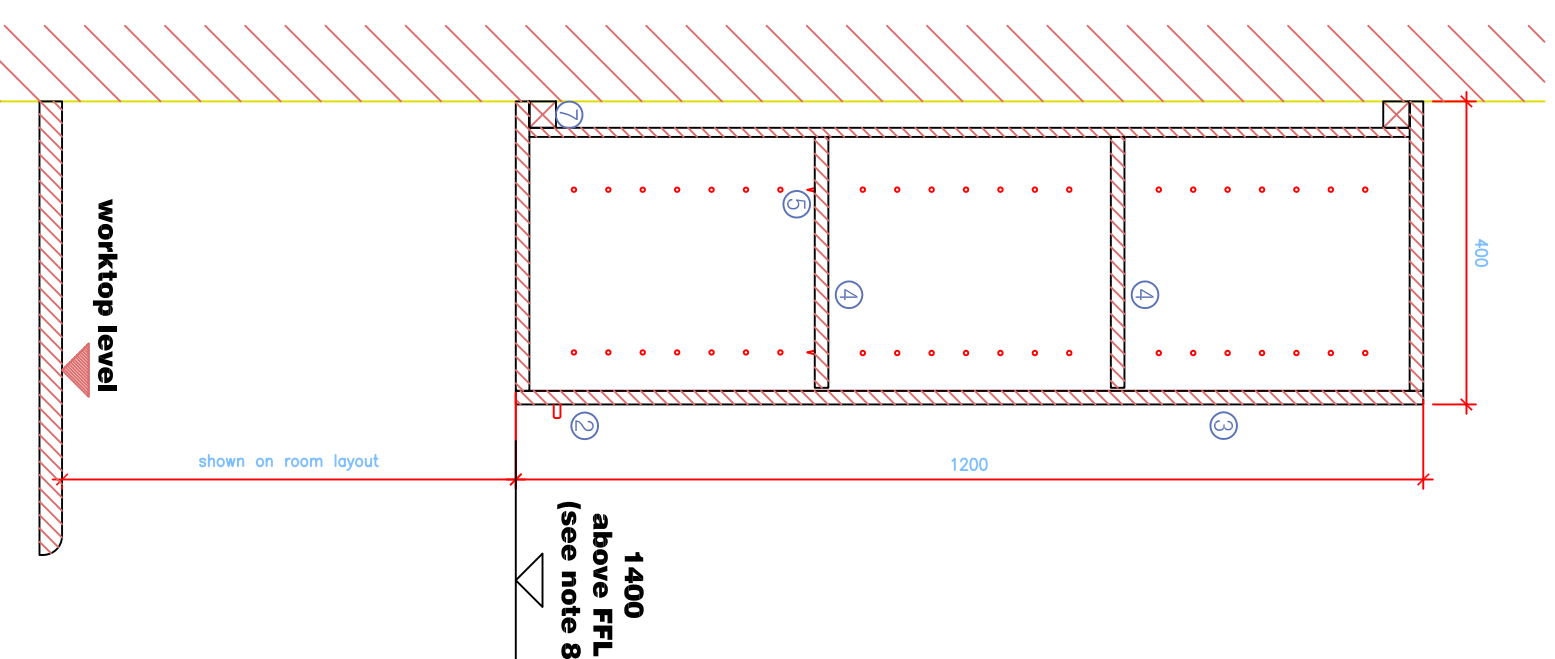


plan



elevation a-a



section b-b

- Legend
- 18 mm thick MDF carcass with decorative high pressure laminate.
 - Ironmongery: Stainless steel "D" shape handles, 180° self closing hinges, cylinder type locks.
 - 18 mm thick MDF doors with decorative high pressure laminate.
 - 18 mm thick height adjustable MDF shelf with high pressure laminate all sides.
 - Adjustable shelf supports - steel plug-in, capacity 100kg/shelf.
 - 12 mm thick MDF back panel with decorative high pressure laminate.
 - 35 mm sw bearers to allow conduit drops behind unit - if required.
 - Generally unit to be fixed at 1400 mm above FFL, except in computer rooms and other computer benches(CWT) where the space between the unit and the worktop should be 700 mm, or where otherwise noted on room layouts.

Minimum Standards for materials and finishes:

Core material for worktops, doors and carcasses:
 Dry Fibre Board (MDF) to I.S. EN 622-5 Class E1 formaldehyde content tested to EN 120.
 Moisture resistant board to I.S. EN 622-5 MDF-H, class E1 formaldehyde content tested to EN 120.

Core materials to be finished with plastic laminates to comply with I.S. EN 438, grade HGS/HGP (including vertical panels, shelves and doors).
 Balancing laminate to be used in all cases.

Edges of all laminated panels (if not postformed) to be finished with solid colour laminate (2 mm thickness), PVC or hardwood edges to seal all edges.

Solid timber to comply with IS EN 942, Class J10.
 FSC/PEFC chain of custody certification required for all timber and timber products, including MDF.

Metal frames:
 Generally 60X30 mm mild steel frame with welded end caps and adjustable feet. Epoxy powder coated to selected RAL colour.

Ironmongery:
 Stainless steel door handles, reversed fixed through doors. High quality stainless steel or nickel plated self-closing hinges (180°) and high quality cylinder style lock on masterkey system to suit the school's requirements.

Hardwood plinth size to be coordinated with skirting height in rooms.

Note:
 Alternative materials and finishes of equal or higher specification and performance are permitted.
 Drawings to be read in conjunction with specification.

HIGH LEVEL STORAGE - HL12

SCALE:	1:10
DRG No:	006
DATE:	JUNE '10
CHECKED BY :	-
PREPARED BY:	-

